



ACEPAC

BORSE BIKEPACKING • ZAINI • ACCESSORI

ACEPAC

BAR HARNESS & DRYBAG



BAR HARNESS AND TWO SIZES OF DRYBAG MAKES PERFECT COMBINATION FOR ALL YOUR ADVENTURES.

PARAMETERS:
HARNESS:
 33 x 33cm | 390g
DRYBAG 16L:
 ø15 x 45cm | 195g
DRYBAG 8L:
 ø18,5 x 60cm | 255g

FEATURES:

- HYPALON NON-SLIPPING STRAPS
- ALUMINIUM REINFORCEMENT BAR
- SLIPLOCK BUCKLES
- WATERPROOF ROLLER CLOSURE
- ADJUSTABLE VOLUME 8-16L
- REINFORCED EXPOSED AREAS
- EASY TO WASH TARPULIN BOTTOM
- EVA DISTANCE SPACERS
- REFLECTIVE PRINT

MATERIALS:
 NYLON 6.6 RIPSTOP, TPU COATING, TARPULIN, HYPALON, ALUMINIUM, NIFCO BUCKLES, POLYPROPYLENE, HDPE

SADDLE HARNESS & DRYBAG



SADDLE HARNESS AND TWO SIZES OF DRYBAG MAKES PERFECT COMBINATION FOR ALL YOUR ADVENTURES.

PARAMETERS:
HARNESS:
 20 x 39cm | 690g
DRYBAG 16L:
 ø20 x 55cm | 270g
DRYBAG 8L:
 ø17 x 45cm | 210g

FEATURES:

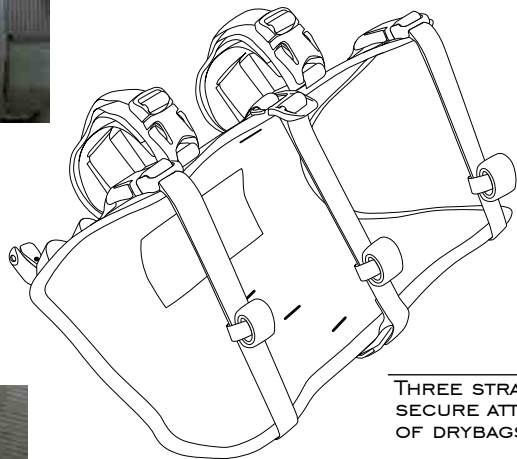
- HYPALON NON-SLIPPING STRAPS
- ALUMINIUM REINFORCEMENT
- SLIPLOCK BUCKLES
- WATERPROOF ROLLER CLOSURE
- ADJUSTABLE VOLUME 8-16L
- REINFORCED EXPOSED AREAS
- EASY TO WASH TARPULIN BOTTOM
- REFLECTIVE PRINT

MATERIALS:
 NYLON 6.6 RIPSTOP, TPU COATING, TARPULIN, HYPALON, ALUMINIUM, NIFCO BUCKLES, POLYPROPYLENE, HDPE

ALUMINIUM REINFORCEMENT BAR



HYPALON AND VELCRO STRAPS FOR ATTACHMENT TO THE HANDLEBAR, SECURED WITH NYLON STRAPS WITH BUCKLES. FOAM SPACERS FOR SUFFICIENT DISTANCE OF HARNESS FROM BARS.



HYPALON LOOPS FOR SECURE BAR BAG CONNECTION



THREE STRAPS FOR SECURE ATTACHMENT OF DRYBAGS



HEAD TUBE STRAP WITH CAMLOCK BUCKLE TO AVOID HARNESS SWING DURING A RIDE

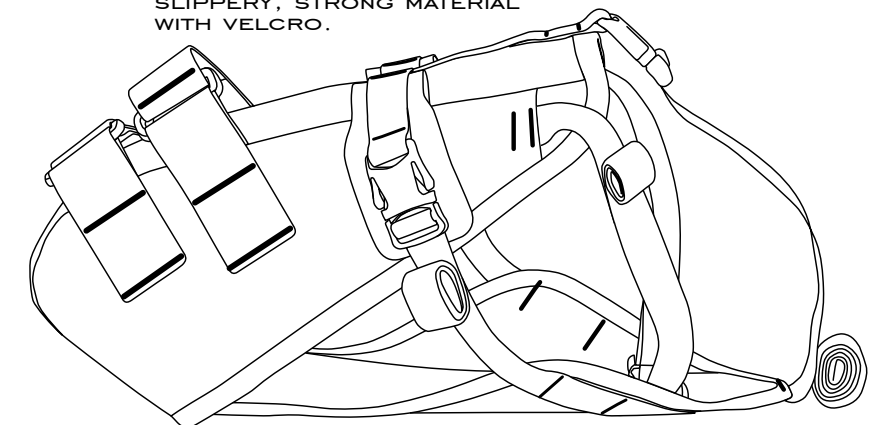
DRYBAG WITH DAISY CHAINS FOR ADDITIONAL GEAR FIXING.



CENTRAL COMPRESSION STRAP FOR SECURE DRYBAG CLOSURE FIXING.



HYPALON STRAPS FOR ATTACHMENT TO THE SEATPOST AND SADDLE RAILS. NON SLIPPERY, STRONG MATERIAL WITH VELCRO.



HYPALON FABRIC PART WHICH TOUCHES SEAT POST AND SADDLE RAILS FOR ADDED DURABILITY.



TARPULIN BOTTOM REINFORCEMENT FOR EASY CLEANING AND TEAR RESISTANCE.



NIFCO BUCKLES FOR EASY HANDLING IN CYCLING GLOVES, CAN BE USED IN FREEZING CONDITIONS DOWN TO -20°C.



ROLL CLOSURE ENSURES ENOUGH WATERPROOFNESS OF THE BAG



DAISY CHAIN AT BOTTOM OF DRYBAG FOR ITS FIXATION TO BACKPACK IN CASE OF TRANSPORT.

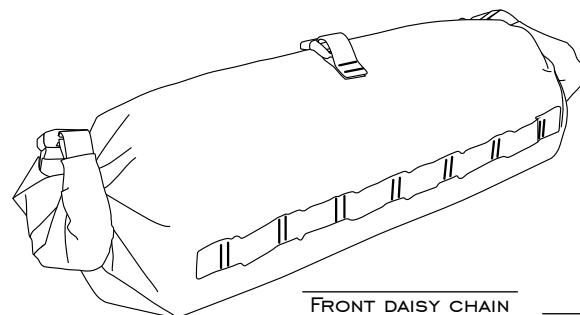
VELCRO ON BACKSIDE OF DRYBAGS FOR SECURE FIXATION OF DRYBAG INTO HARNESS.



NIFCO BUCKLES FOR EASY HANDLING IN CYCLING GLOVES, CAN BE USED IN FREEZING CONDITIONS DOWN TO -20°C.



ROLL CLOSURE ENSURES ENOUGH WATERPROOFNESS OF THE BAG



FRONT DAISY CHAIN FOR ADDITIONAL GEAR FIXING

HOOK IN TOP OF DRYBAG FOR QUICK AND SIMPLE „KNEEFREE“ CONNECTION TO HARNESS.



ACEPAC

HANDLEBARS

BAR ROLL



BLACK
ART NO. 101301



GREY
ART NO. 101325

PARAMETERS:
ø 18,5 x [30-60]cm
[8-16]L
485g

LARGE HANDLEBAR BAG FOR TRANSPORT OF EASILY COMPRESSIBLE EQUIPMENT, THANKS TO ITS DIMENSIONS ALSO SUITABLE FOR TRANSPORT OF SLEEPING EQUIPMENT - TENT, SLEEPING BAG, MAT, ETC.

FEATURES:

- EVA DISTANCE SPACERS
- ALUMINIUM REINFORCEMENT BAR
- REMOVABLE WATERPROOF LINER
- SLIPLOCK BUCKLES
- DOUBLE-SIDED ROLLER CLOSURE
- ADJUSTABLE VOLUME 8-16L
- REINFORCED EXPOSED AREAS
- EASY TO WASH TARPULIN BOTTOM
- REFLECTIVE PRINT

MATERIALS:

NYLON 6.6 RIPSTOP, PU COATING, TARPULIN, HYPALON, ALUMINIUM, NIFCO BUCKLES, POLYPROPYLENE



CENTRAL STRAP WITH CAMLOK BUCKLE FOR FIXATION OF THE BAG TO THE HEAD TUBE OF BIKE FRAME. EXPOSED AREAS WHERE THE BAG TOUCHES THE HEAD TUBE AND BRAKE LEVERS ARE REINFORCED WITH A SECOND LAYER OF DURABLE NYLON 6.6 FABRIC.



EVA FOAM DISTANCE SPACERS AND ALUMINIUM REINFORCEMENT KEEP THE BAG AWAY FROM THE HANDLEBARS TO PROTECT THE BRAKE LEVERS AND THEIR SUPPLY HOSES. SECURE ATTACHMENT TO THE HANDLEBARS WITH NON-SLIP HYPALON STRAPS WITH WIDE VELCRO FASTENING IS SECURED BY STRAPS WITH BUCKLES WITH ANTI SLIP LOCK FUNCTION TO AVOID BAG MOVEMENT DURING A RIDE.



DOUBLE-SIDED ROLLER CLOSURE WITH NIFCO BUCKLES (-20°C), FOR EASY GLOVE CONTROL, CAN BE ROLLED LIKE A CLASSIC DRYBAG BY CLOSING THE BUCKLES AT THE BAG ENTRANCE.

THE BOTTOM PART OF THE BAG COVERED BY EASY-TO-CLEAN TARPULIN FABRIC. HORIZONTAL STRAP CHAIN AT THE BOTTOM OF THE BAG TO ATTACH IT TO THE BACKPACK FOR EASY TRANSPORTATION OF THE BAG IN RUGGED TERRAIN.



THE BAG HAS A REMOVABLE WATERPROOF LINER (COATED NYLON RIPSTOP FABRIC, PU 5000MM WITH TAPED SEAMS), WHICH GUARANTEES TO KEEP THE CARRIED STUFF DRY.



BAR BAG



BLACK
ART NO. 121002



GREY
ART NO. 121026

PARAMETERS:

25 x 12 x 16cm
5L
270g

SMALL HANDLEBAR BAG FOR TRANSPORT OF VARIOUS QUICKLY AVAILABLE EQUIPMENT, FOR EXAMPLE CAMERA, PHONE, EVERYDAY NEEDS.

FEATURES:

- HYPALON NON SLIPPING STRAPS
- REMOVABLE WATERPROOF LINER
- SLIPLOCK BUCKLES
- WATERPROOF ROLLER CLOSURE
- WATER RESISTANT YKK TWO WAY ZIPPER
- REFLECTIVE PRINT

MATERIALS:

NYLON 6.6 RIPSTOP, PU COATING, HYPALON, NIFCO BUCKLES, POLYPROPYLENE, YKK ZIPPERS

PAIR OF VELCRO AND HYPALON STRAPS ENABLE TO CONNECT BAR BAG TO HANDLEBARS DIRECTLY WITHOUT BAR ROLL.



HEAD TUBE STRAP WITH CAMLOK BUCKLE TO AVOID HARNESS SWING DURING A RIDE.

YKK WATER RESISTANT ZIPPER WITH TWO SLIDERS FOR EASIER STUFF REACH.



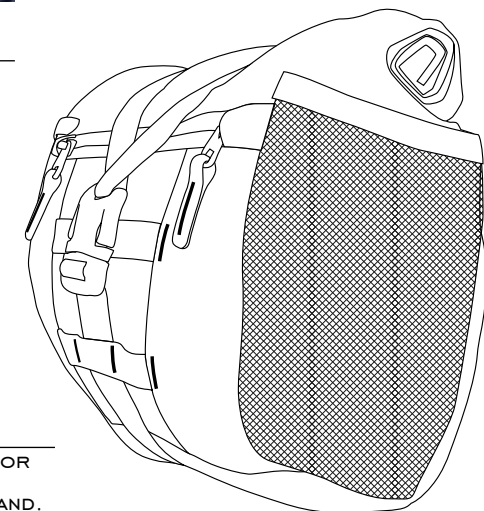
NIFCO BUCKLES FOR EASY HANDLING IN CYCLING GLOVES AND. THOSE BUCKLES CAN BE USED IN FREEZING CONDITIONS UP TO -20°C.

THE BAG CAN BE ATTACHED DIRECTLY TO HANDLEBARS OR TO THE BAR ROLL, USING SPECIAL BUCKLES WHICH ARE INCLUDED IN THE BAR BAG

DRYBAG IS FIXED INTO BAG BY VELCRO FOR EASIER ROLLING.



SIDE MESH POCKETS SUITABLE FOR QUICKLY ACCESSIBLE EQUIPMENT OR TRASH



ROLL CLOSURE ENSURES WATERPROOFNESS OF THE BAG



PAIR OF DAISY CHAINS IN FRONT OF BAG FOR ADDITIONAL GEAR OR FLASHLIGHT FIXING.



THE BAG HAS A REMOVABLE WATERPROOF LINER (COATED NYLON RIPSTOP FABRIC, PU 5000MM WITH TAPED SEAMS), WHICH GUARANTEES TO KEEP THE CARRIED STUFF DRY.

BIKE BOTTLE BAG



BLACK
ART NO. 131001



GREY
ART NO. 131025

SMALL HANDLEBAR BAG MADE TO FIT THE STANDARD BIKE BOTTLE. OF COURSE YOU CAN USE IT FOR DIFFERENT PURPOSES SUCH AS SNACKS OR OTHER STUFF YOU KEEP.

FAT BOTTLE BAG



BLACK
ART NO. 132008



GREY
ART NO. 132022

SMALL HANDLEBAR BAG MADE TO FIT THE FAT 1 L TRITAN BOTTLE. EVEN MORE SPACE FOR YOUR SNACKS OR OTHER STUFF YOU KEEP.

PARAMETERS:
Ø9 x [13-17]cm
65g

- FEATURES:**
- EASY TO FIX BY VELCRO STRAPS
 - SIDE MESH POCKET
 - ELASTIC STRING WITH STOPPER CLOSURE
 - REFLECTIVE LOGO
 - HIGH VISIBILITY LINING FOR EASIER TRANSPORTED GEAR ORGANISATION

MATERIALS:
NYLON 6.6 RIPSTOP, PU COATING, POLYPROPYLENE WEBBING, HIGH VISIBILITY LINING

SIDE „TRASH MESH POCKET“



STRAP WITH CAMLOK BUCKLE TO FIX THE BOTTOM TO THE FORK CROWN.



STRING WITH STOPER CLOSURE.



THE VELCRO STRAPS CAN BE MOVED AROUND THE BAG THANKS TO THE STRAP LADDER.

ELASTIC BAND HOLDS THE BOTTLE IN PLACE AND CLOSES THE BAG.



THE HOLE IN THE BOTTOM OF THE BAG TO SPILL THE WATER IN CASE YOU WILL CATCH SOME IN RAINY WEATHER



PARAMETERS:
Ø10 x [14.5-19]cm
75g

- FEATURES:**
- EASY TO FIX BY VELCRO STRAPS
 - TRASH MESH POCKET
 - ELASTIC STRING WITH STOPPER CLOSURE
 - REFLECTIVE LOGO
 - HIGH VISIBILITY LINING FOR EASIER TRANSPORTED GEAR ORGANISATION

MATERIALS:
NYLON 6.6 RIPSTOP, PU COATING, POLYPROPYLENE, HIGH VISIBILITY LINING

SIDE „TRASH MESH POCKET“



STRAP WITH CAMLOK BUCKLE TO FIX THE BOTTOM TO THE FORK CROWN.



STRING WITH STOPER CLOSURE.



VELCRO STRAPS FOR ATTACHMENT TO THE HANDLES. CAN BE MOVED AROUND TO FIT YOUR NEEDS.

ELASTIC BAND HOLDS THE BOTTLE IN PLACE AND CLOSES THE BAG.



THE HOLE IN THE BOTTOM OF THE BAG TO SPILL THE WATER IN CASE YOU WILL CATCH SOME IN RAINY WEATHER



SADDLE BAG



BLACK
ART NO. 103305



GREY
ART NO. 103329

LARGE SADDLE BAG FOR TRANSPORT OF EASILY COMPRESSIBLE EQUIPMENT, SUCH AS CLOTHING.

PARAMETERS:
ø21 x [36-58]cm
16L
690g

FEATURES:

- HYPALON NON-SLIPPING STRAPS
- REMOVABLE WATERPROOF LINER
- SLIPLOCK BUCKLES
- WATERPROOF ROLLER CLOSURE
- ADJUSTABLE VOLUME 8-16L
- REINFORCED EXPOSED AREAS
- EASY TO WASH TARPAILIN BOTTOM
- REFLECTIVE PRINT

MATERIALS:

NYLON 6.6 RIPSTOP, PU COATING, TARPAILIN, HYPALON, HDPE, NIFCO BUCKLES, POLYPROPYLENE

CENTRAL COMPRESSION STRAP FOR EVEN MORE SECURE ROLL CLOSURE. TOP DAISY CHAINS FOR ADDITIONAL GEAR FIXING POSSIBILITY

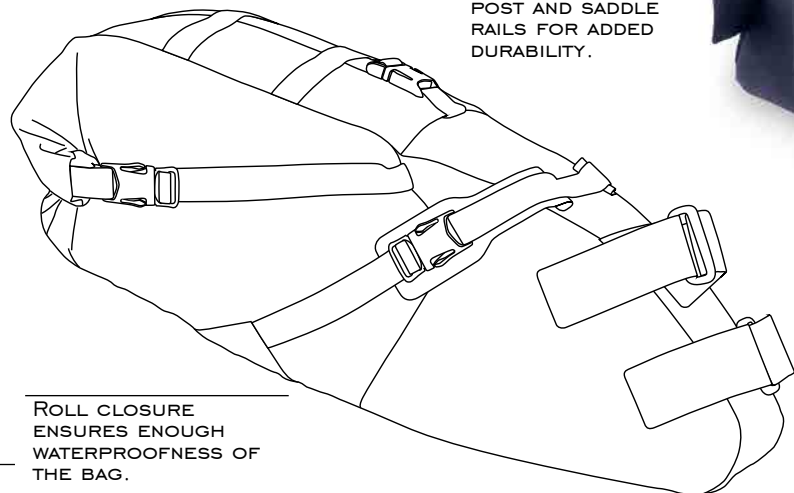


NIFCO BUCKLES FOR EASY HANDLING IN CYCLING GLOVES, CAN BE USED IN FREEZING CONDITIONS DOWN TO -20°C.

HYPALON STRAPS FOR ATTACHMENT TO THE SEATPOST AND SADDLE STRUTS. NON SLIPPERY, STRONG MATERIAL WITH VELCRO.



HYPALON FABRIC PART WHICH TOUCHES SEAT POST AND SADDLE RAILS FOR ADDED DURABILITY.



ROLL CLOSURE ENSURES ENOUGH WATERPROOFNESS OF THE BAG.

SLIPLOCK BUCKLES FOR SAFE SADDLE CONNECTION.



THE BAG HAS A REMOVABLE WATERPROOF LINER (COATED NYLON RIPSTOP FABRIC, PU 5000MM WITH TAPED SEAMS), WHICH GUARANTEES TO KEEP THE CARRIED STUFF DRY.



HDPE BOARD REINFORCED BOTTOM FOR BETTER BAG STABILITY.



TARPAILUN BOTTOM REINFORCEMENT FOR EASY CLEANING AND TEAR RESISTANCE.

DAISY CHAIN AT BOTTOM OF BAG FOR ITS FIXATION TO BACKPACK IN CASE OF TRANSPORT.

ZIP FRAME BAG



BLACK L
ART NO. 129305



GREY M
ART NO. 128223



BLACK M
ART NO. 128209



GREY L
ART NO. 129329

UNIVERSAL FRAME BAG IN TWO SIZES, M AND L. THE BAG IS EQUIPPED WITH WATER RESISTANT YKK ZIPPER WITH TWO SLIDERS. THE CIRCUMFERENCE OF THE BAG IS PADDED TO PROTECT THE FRAME. INSIDE FRAME POSITION IS IDEAL FOR HEAVY GEAR TRANSPORT.

PARAMETERS:

[40/48] x 6 x [14/17]cm
[3,5/4]L
265g

FEATURES:

- LONG VELCRO STRAPS MEANT TO BE CUT EXACTLY TO YOUR FRAME
- PADDED CIRCUMFERENCE WALLS FOR BETTER FRAME FIT AND SOUND FREE RIDES.
- WATER RESISTANT YKK ZIPPER
- REFLECTIVE LOGO
- INNER MESH POCKETS

MATERIALS:

NYLON 6.6 RIPSTOP, PU COATING, NIFCO BUCKLES, YKK ZIPPERS, HIGH VISIBLE LINING

HIGH VISIBLE LINING INSIDE BAG.



INNER MESH POCKETS FOR BETTER GEAR ORGANISATION INSIDE BAG.

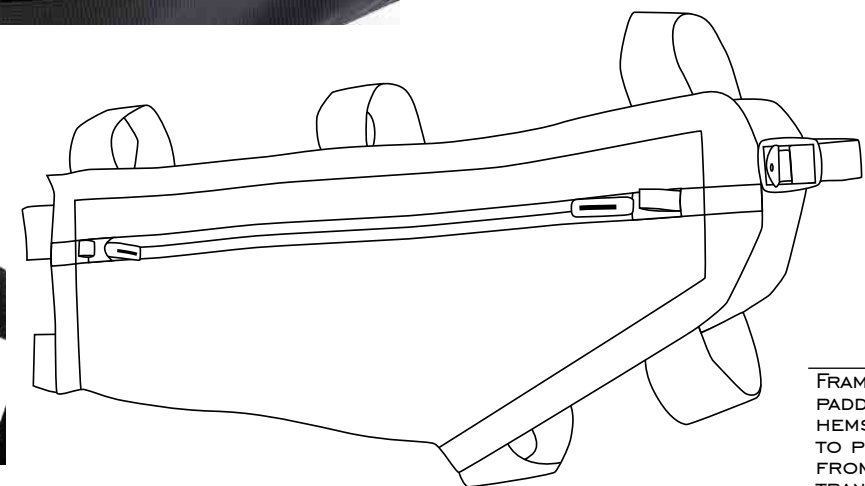
YKK ZIPPER WITH TWO SLIDERS FOR EASIER BAG OPENING.



REFLECTIVE PRINT ON SIDES



CAMELBAG HOSE OUTLET



SEVEN LONG VELCRO STRAPS TO FIT AS MANY FRAMES AS POSSIBLE. CUT OFF THE REMAINING PART.

FRAME TOUCHING SIDES ARE PADDED AND EQUIPPED WITH HEMS TO FIT PROPERLY AND TO PROTECT THE FRAME FROM SCRATCHING BY TRANSPORTED CARGO



STRAP WITH CAMLOK BUCKLE TO ATTACH TO THE HEAD TUBE.



FUEL BAG M

BLACK
ART NO. 130202



GREY
ART NO. 130226

FUEL BAG TO STORE ALL THE NECESSARY WIDGETS AND SNACKS YOU NEED TO HAVE THE FAST ACCESS.

PARAMETERS:

19 x 6 x 10cm
0.8L
110g

FEATURES:

- LONG VELCRO STRAPS MEANT TO BE CUT EXACTLY TO YOUR FRAME
- PADDED CIRCUMFERENCE
- 2 WATER RESISTANT YKK ZIPPERS
- REFLECTIVE LOGO
- TWO OUTER SIDE MESH POCKETS
- TWO INNER MESH POCKETS

MATERIALS:

NYLON 6.6 RIPSTOP, PU COATING, NIFCO BUCKLES, YKK ZIPPERS, POLYPROPYLENE, HIGH VISIBLE LINING

DOUBLE WATER RESISTANT YKK ZIPPER FOR COMFORTABLE ACCESS AND PROTECTION OF YOUR STUFF

NON SLIP HYPALON LOOPS ON THE SIDES OF ZIPPER FOR EASY HANDLING



LONG VELCRO STRAPS TO FIT AS MANY FRAMES AS POSSIBLE CAN BE POSITIONED. CUT OFF THE REMAINING PART.

TWO INNER SIDE MESH POCKETS FOR BETTER GEAR ORGANISATION INSIDE BAG.

HIGH VISIBLE LINING FOR EASY ORIENTATION INSIDE BAG.

TWO SIDE MESH POCKETS



FUEL BAG L

BLACK
ART NO. 107303



GREY
ART NO. 107327

FUEL BAG TO STORE ALL THE NECESSARY WIDGETS AND SNACKS YOU NEED TO HAVE THE FAST ACCESS. TWO INNER PADDED PARTITIONS CAN BE ADJUSTED BY OR REMOVED.

PARAMETERS:

26 x 6 x 10cm
1.2L
135g

FEATURES:

- LONG VELCRO STRAPS MEANT TO BE CUT EXACTLY TO YOUR FRAME
- PADDED CIRCUMFERENCE
- 2 WATER RESISTANT YKK ZIPPERS
- REFLECTIVE LOGO
- TWO OUTER SIDE MESH POCKETS
- TWO PADDED ADJUSTABLE PARTITIONS

MATERIALS:

NYLON 6.6 RIPSTOP, PU COATING, NIFCO BUCKLES, YKK ZIPPERS, POLYPROPYLENE, HIGH VISIBILITY LINING

NON SLIP HYPALON LOOPS ON THE SIDES OF ZIPPER FOR EASY HANDLING

DOUBLE WATER RESISTANT YKK ZIPPER FOR COMFORTABLE ACCESS AND PROTECTION OF YOUR STUFF



TWO SIDE MESH POCKETS

LONG VELCRO STRAPS TO FIT AS MANY FRAMES AS POSSIBLE CAN BE POSITIONED. CUT OFF THE REMAINING PART.

TWO INNER PARTITIONS WITH VELCRO HEMS CAN BE ADJUSTED OR PUT OUT BY YOUR NEEDS

BRUSHED INNER SIDES TO PROTECT YOUR STUFF FROM SCRATCHING



TUBE BAG



GREY
ART NO. I 33029

A LITTLE BAG MEANT TO STORE ROLLED UP SPARE TUBE AND THE ESSENTIAL TOOLS. WATER RESISTANT YKK ZIPPER SEEMS TO BE OVERKILL FOR JUST THE TUBE, BUT WE WANT IT TO BE USABLE FOR MORE STUFF.



BLACK
ART NO. I 33005

PARAMETERS:
12 x 6 x 10cm
0.7L
60g

- FEATURES:**
- LONG VELCRO STRAPS MEANT TO BE CUT EXACTLY TO YOUR FRAME
 - PADDED CIRCUMFERENCE
 - WATER RESISTANT YKK ZIPPER
 - REFLECTIVE LOGO
 - TWO INNER MESH POCKETS

MATERIALS:
NYLON 6.6 RIPSTOP, PU COATING, YKK ZIPPERS, POLYPROPYLENE, HIGH VISIBILITY LINING

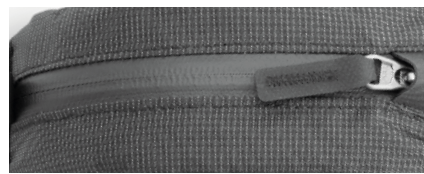
MULTIPLE CONNECTION POSSIBILITIES BY WEBBING LADDER.



TWO INNER MESH POCKETS



WATER RESISTANT YKK ZIPPER



LONG VELCRO STRAPS TO FIT AS MANY FRAMES AS POSSIBLE CAN BE POSITIONED. CUT OFF THE REMAINING PART.



HIGH VISIBILITY LINING



HYPALON LOOPS FOR EASIER OPENING.



REFLECTIVE PRINT ON SIDES



MINIMA BAG



GREY
ART NO. I 34026

THIS BAG IS MEANT TO BE ATTACHED TO THE FORK OR FRAME. MADE FOR THE MINIMA POT OR MINIMA SET COOKING SETS. ROLL CLOSURE.



BLACK
ART NO. I 34002

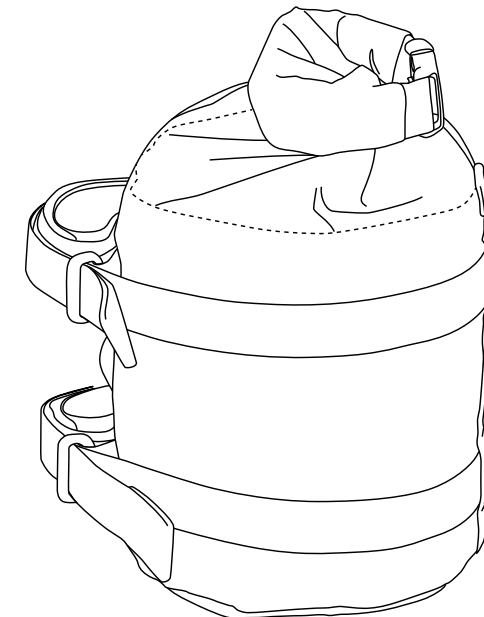
PARAMETERS:
ø 12 x 14cm
1.5L
85g

- FEATURES:**
- HYPALON NON SLIP STRAPS
 - SLIPLOCK NIFCO BUCKLES
 - ROLLER CLOSURE
 - PADDED WALLS
 - REFLECTIVE PRINT
 - ROLL CLOSURE

MATERIALS:
NYLON 6.6 RIPSTOP, PU COATING, HYPALON, NIFCO BUCKLES, POLYPROPYLENE, HIGH VISIBILITY LINING



PAIR OF COMPRESSION STRAPS FOR ROCK SOLID BAG FIXATION TO FRAME OR FORK



WATER RESISTANT ROLLER CLOSING SYSTEM ALLOWS YOU TO ADJUST THE VOLUME OF THE BAG



ATTACHMENT STRAPS ARE MADE OF THREE LAYERS, OF HYPALON, VELCRO AND STRAP WITH BUCKLE TO SECURELY FIX THE BAG



HI VISIBILITY LINING INSIDE BAG FOR EASIER ORIENTATION PADDED WALLS PROTECT YOUR FRAME AND EQUIPMENT



THE HOLE IN THE BOTTOM OF THE BAG TO SPILL THE WATER IN CASE YOU WILL CATCH SOME IN RAINY WEATHER

TOOL WALLET



GREY
ART NO. I 35023

FOLDABLE POUCH TO STORE ALL THE NECESSARY TOOLS. THANKS TO THE HYPALON STRAPS CAN BE ATTACHED TO THE FRAME OR SADDLE RAILS.

PARAMETERS:
22.5 x 15cm
0.16g

- FEATURES:**
- HYPALON NON-SLIPPING STRAP
 - REINFORCED EXPOSED AREAS
 - PRACTICAL BINDER FOR ALL YOUR TOOLS
 - LOOP FOR THE TAILLIGHT
 - REFLECTIVE PRINT

MATERIALS:
NYLON 6.6 RIPSTOP, PU COATING, HYPALON, NIFCO, HIGH VISIBILITY LINING

THREE SMALL POCKETS WITH VELCRO CLOSURE, TWO PAIRS OF ELASTIC LOOPS

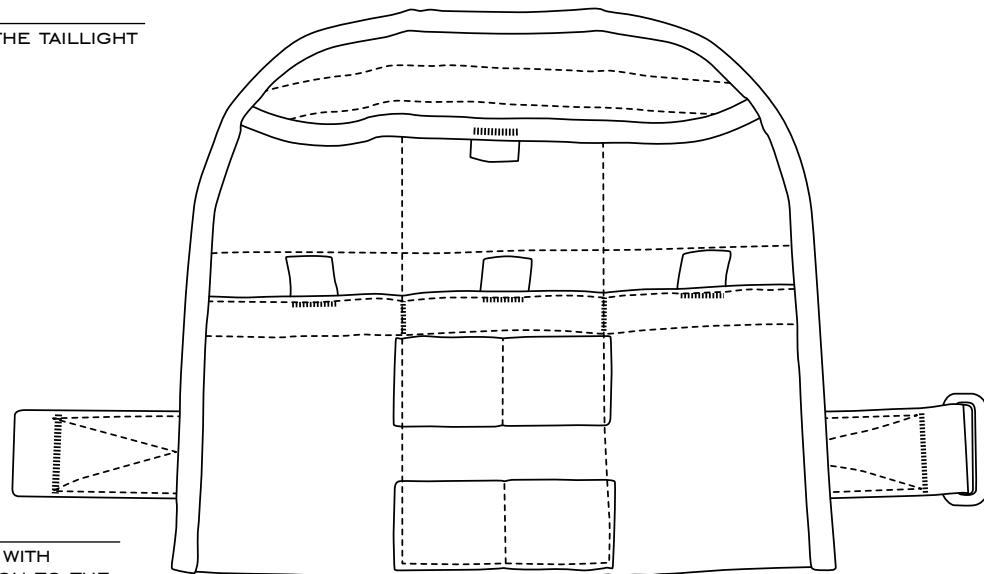
THREE POCKETS SECURED BY FOLDING



LOOP FOR THE TAILLIGHT



HYPALON STRAP WITH VELCRO TO ATTACH TO THE BIKE FRAME



TUBE WRAP



GREY
ART NO. I 36020

HYPALON STRAP SYSTEM TO PACK THE SPARE TUBE TOGETHER WITH MOUNTING LEVERS AND ATTACH IT TO THE FRAME. PLUS LOOP FOR THE TAILLIGHT.

PARAMETERS:
22.5 x 15cm
0.16g

- FEATURES:**
- HYPALON NON-SLIPPING STRAPS
 - LOOPS FOR THE MOUNTING LEVERS
 - LOOP FOR THE TAILLIGHT

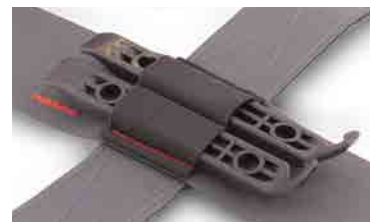
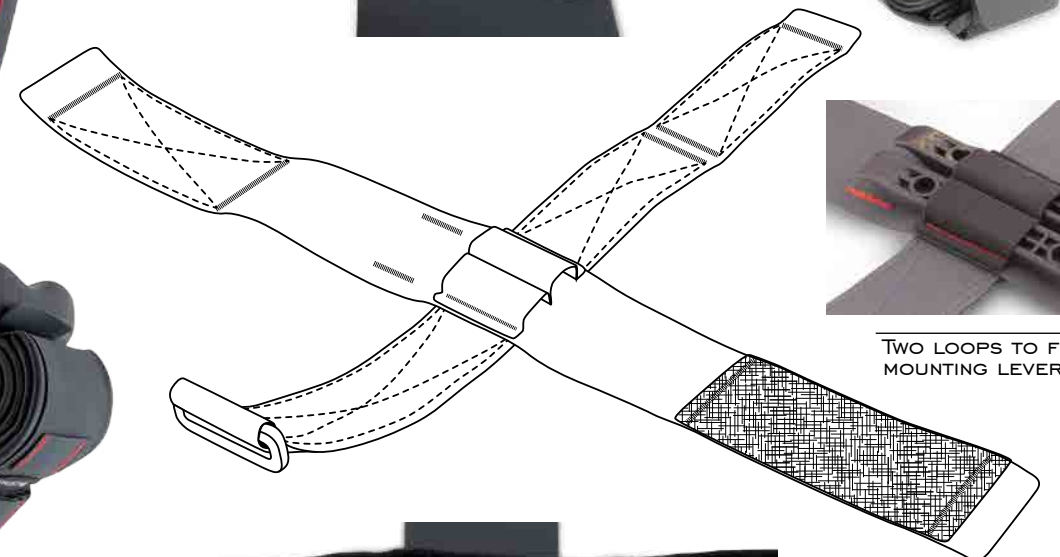
MATERIALS:
HYPALON, NIFCO

HYPALON MAKES THE WRAP STRONG AND NON SLIPPING

WIDE HYPALON STRAP PROTECTS TUBE FROM DAMAGE.



LOOP FOR THE TAILLIGHT

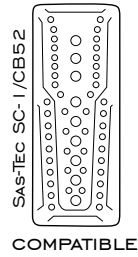


TWO LOOPS TO FIT THE MOUNTING LEVERS



HUGE VELCRO CONNECTIONS ENSURES THE SECURITY OF THE WRAP IN VERY HARSH CONDITIONS

,zam 15^{EXP}



BLACK
ART NO. 207607



GREY
ART NO. 207621

- FEATURES:**
- RAINCOVER INCLUDED
 - CARRY MORE STRAP SYSTEM
 - LCG - LOW CENTER OF GRAVITY
 - TOOLS ORGANISER
 - GOGGLES POCKET
 - CLIP ON KEYCHAIN
 - E3D VENTED BACK PANEL
 - SPLITTED SHOULDER STRAPS
 - SIDE ENTRY
 - PADDED LAPTOP POCKET
 - REFLECTIVE DETAILS
 - FLASHLIGHT LOOP
 - EXPANDABLE VOLUME
 - STERNUM STRAP WHISTLE
 - ADJUSTABLE STERNUM STRAP HEIGHT
 - POSSIBILITY TO HIDE HIPBELT INTO THE BACKPANEL
 - COMPATIBILITY: SAS-TEC SC-1/CB52 SPINE PROTECTOR, 8L BAR DRYBAG, HELMET HOLDER, H2O BLADDER, BATTERY CASE

PARAMETERS:
48 x 28 x 19 cm
800 G

MATERIALS:
NYLON 6.6, NYLON ROVIC RIPSTOP, NIFCO BUCKLES, YKK ZIPPERS



BACKPACK WITH EXPANDABLE VOLUME SUITABLE FOR BOTH WILDERNESS AND URBAN ADVENTURES.
DEVELOPED WITH PROFESSIONAL FREERIDER RICHARD 'GASPI' GASPEROTTI.



SAS-TEC SPINE PROTECTOR AND BATTERY CASE COMPATIBLE



SIDE ENTRY WITH MESH BOTTLE POCKET



VARIOUS HELMET FIXING POSSIBILITIES



GOGGLES POCKET WITH EMERGENCY PRINT

SPLITTED SHOULDER STRAPS

LOW CENTER OF GRAVITY DESIGN WITH ADJUSTABLE LCG BAR



E3D VENTED BACK PANEL

SIDE POCKET WITH RAINCOVER, BOTTLE COMPATIBLE

HIPBELT IS HIDEABLE INTO THE BACK SYSTEM



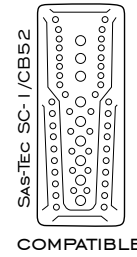
POSITIONABLE STERNUM STRAP WITH EMERGENCY WHISTLE



8L BAR DRYBAG COMPATIBLE

THANKS FOR THE INCLUDED STRAPS, YOU CAN EASILY ATTACH MORE EQUIPMENT

FLITE 20



GREY
ART NO. 206723



BLACK
ART NO. 206709

- FEATURES:**
- RAINCOVER INCLUDED
 - CARRY MORE STRAP SYSTEM
 - HIDE STRAP SYSTEM
 - LCG - LOW CENTER OF GRAVITY
 - TOOLS ORGANISER
 - GOGGLES POCKET
 - CLIP ON KEYCHAIN
 - E3D VENTED BACK PANEL
 - SPLITTED SHOULDER STRAPS
 - SWAY HIPBELT FOR MAXIMUM CONTROL
 - FULLFACE HELMET FIXING STRAPS
 - REFLECTIVE DETAILS
 - FLASHLIGHT LOOP
 - STERNUM STRAP WHISTLE
 - ADJUSTABLE STERNUM STRAP HEIGHT
 - HIPBELT POCKETS
 - COMPATIBILITY: SAS-TEC SC-1/CB52 SPINE PROTECTOR, BAR BAG, 8L BAR DRYBAG, HELMET HOLDER, H2O BLADDER, BATTERY CASE

PARAMETERS:
48 x 28 x 22 cm
910 G

MATERIALS:
NYLON 6.6, NYLON ROVIC, RIPSTOP, YKK ZIPPERS, NIFCO BUCKLES

DO YOU HAVE BULKY STUFF, BUT NEED MINIMAL RIDE EXPERIENCE IMPACT? THIS PACK IS YOUR SOLUTION. ROOMY MAIN CHAMBER AND ELABORATE COMPARTMENT MANAGEMENT WILL ALLOW YOU TO HOLD ALL STUFF IN ITS PLACE DURING YOUR WILD TRIPS.



SAS-TEC SPINE PROTECTOR, H2O BLADDER AND BATTERY CASE COMPATIBLE



TOOLS ORGANISER, GOGGLES POCKET



HELMET HOLDER COMPATIBLE, FULLFACE HELMET FIXING STRAPS



BAR BAG AND 8L BAR DRYBAG COMPATIBLE



EMERGENCY PRINT



BATTERY CASE COMPATIBLE

SPLITTED SHOULDER STRAPS

LOW CENTER OF GRAVITY DESIGN WITH ADJUSTABLE LCG BAR



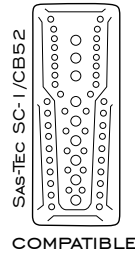
E3D VENTED BACK PANEL

SIDE POCKET WITH RAINCOVER, BOTTLE COMPATIBLE

SWAY HIPBELT WITH POCKETS

HIDE STRAP SYSTEM

FLITE 15



BLACK
ART NO. 206600



GREY
ART NO. 206624

FEATURES:

- RAINCOVER INCLUDED
- CARRY MORE STRAP SYSTEM
- HIDE STRAP SYSTEM
- LCG - LOW CENTER OF GRAVITY
- TOOLS ORGANISER
- GOGGLES POCKET
- CLIP ON KEYCHAIN
- E3D VENTED BACK PANEL
- SPLITTED SHOULDER STRAPS
- SWAY HIPBELT FOR MAXIMUM CONTROL
- FULLFACE HELMET FIXING STRAPS
- REFLECTIVE DETAILS
- FLASHLIGHT LOOP
- STERNUM STRAP WHISTLE
- ADJUSTABLE STERNUM STRAP HEIGHT
- HIBBELT POCKETS
- COMPATIBILITY: SAS-TEC SC-1/ CB52 SPINE PROTECTOR, BAR BAG, 8L BAR DRYBAG, HELMET HOLDER, H2O BLADDER, BATTERY CASE

PARAMETERS:

48 x 27 x 18 cm
880 G

MATERIALS:

NYLON 6.6, NYLON ROBIC, RIPSTOP, YKK ZIPPERS, NIFCO BUCKLES

MEDIUM VOLUME BACKPACK TO CARRY ALL THE NECESSARY STUFF FOR YOUR WHOLE DAY IN A SADDLE ADVENTURES.



POSITIONABLE LCG BAR AND H2O BLADDER OUTLET



ADJUSTABLE STERNUM STRAP WITH EMERGENCY WHISTLE



SPLITTED SHOULDER STRAPS

POSITIONABLE STERNUM STRAP WITH EMERGENCY WHISTLE



RAINCOVER INCLUDED



SWAY HIPBELT FOR MAXIMUM COMFORT



E3D VENTED BACK PANEL

SPLITTED SHOULDER STRAPS

LOW CENTER OF GRAVITY DESIGN WITH ADJUSTABLE LCG BAR

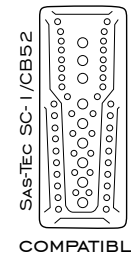


E3D VENTED BACK PANEL

SIDE POCKET WITH RAINCOVER, BOTTLE COMPATIBLE

SWAY HIPBELT WITH POCKETS

FLITE 10



GREY
ART NO. 206525



BLACK
ART NO. 206501

FEATURES:

- RAINCOVER INCLUDED
- CARRY MORE STRAP SYSTEM
- HIDE STRAP SYSTEM
- LCG - LOW CENTER OF GRAVITY
- TOOLS ORGANISER
- GOGGLES POCKET
- CLIP ON KEYCHAIN
- E3D VENTED BACK PANEL
- SPLITTED SHOULDER STRAPS
- SWAY HIPBELT FOR MAXIMUM CONTROL
- FULLFACE HELMET FIXING STRAPS
- REFLECTIVE DETAILS
- FLASHLIGHT LOOP
- STERNUM STRAP WHISTLE
- ADJUSTABLE STERNUM STRAP HEIGHT
- HIBBELT POCKETS
- COMPATIBILITY: SAS-TEC SC-1/ CB52 SPINE PROTECTOR, BAR BAG, 8L BAR DRYBAG, HELMET HOLDER, H2O BLADDER, BATTERY CASE

PARAMETERS:

45 x 22 x 16 cm
780 G

MATERIALS:

NYLON 6.6, NYLON ROBIC, RIPSTOP, YKK ZIPPERS, NIFCO BUCKLES

MINIMALISTIC VARIANT OF FULLY EQUIPPED FLITE BACKPACK. DUE TO SLIGHTLY SHORTER BACKPANEL WELL SUITABLE ALSO FOR LADIES.



REFLECTIVE DETAILS FOR HIGHEST SAFETY, FLASHLIGHT LOOP



BRUSHED POCKET FOR STORING GOGGLES



CLIP ON KEYCHAIN



BIKE BOTTLE POCKET



ZIPPER POCKET WITH EMERGENCY PRINT



HIPBELT POCKETS

SPLITTED SHOULDER STRAPS

LOW CENTER OF GRAVITY DESIGN WITH ADJUSTABLE LCG BAR

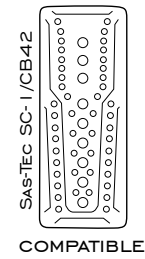


E3D VENTED BACK PANEL

SIDE POCKET WITH RAINCOVER, BOTTLE COMPATIBLE

SWAY HIPBELT WITH POCKETS

FLITE 6 JR



BLACK
ART NO. 206303



GREY
ART NO. 206327

- FEATURES:**
- RAINCOVER INCLUDED
 - HIDE STRAP SYSTEM
 - GOGGLES POCKET
 - E3D VENTED BACK PANEL
 - FULLFACE HELMET FIXING STRAPS
 - REFLECTIVE DETAILS
 - FLASHLIGHT LOOP
 - STERNUM STRAP WHISTLE
 - ADJUSTABLE STERNUM STRAP HEIGHT
 - POSSIBILITY TO HIDE HIPBELT INTO THE BACKPANEL
 - COMPATIBILITY: SAS-TEC SC-1/CB42 SPINE PROTECTOR, HELMET HOLDER, H2O BLADDER, BATTERY CASE

PARAMETERS:
38 x 20 x 15 cm
460 g

MATERIALS:
NYLON 6.6, NYLON ROBIC, RIPSTOP, YKK ZIPPERS, NIFCO BUCKLES

JUNIOR BACKPACK WITH THE MOST IMPORTANT BIKE BACKPACK FEATURES, SUITABLE NOT ONLY FOR RIDING DUE TO HIDEABLE WAIST STRAP.



H2O BLADDER HOSE OUTLET



GOGGLES POCKET



FULLFACE HELMET FIXING STRAPS, HELMET HOLDER COMPATIBLE



BIKE BOTTLE POCKET



H2O BLADDER COMPATIBLE



POSITIONABLE STERNUM STRAP WITH EMERGENCY WHISTLE

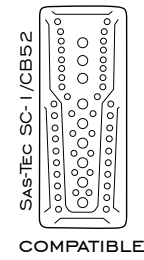


E3D VENTED BACK PANEL

SIDE POCKET WITH RAINCOVER, BOTTLE COMPATIBLE

HIPBELT CAN BE HIDDEN INTO THE BACKPANEL

HIDE STRAP SYSTEM



GREY
ART NO. 205429



BLACK
ART NO. 205405

- FEATURES:**
- RAINCOVER INCLUDED
 - CARRY MORE STRAP SYSTEM
 - HIDE STRAP SYSTEM
 - LCG - LOW CENTER OF GRAVITY
 - TOOLS ORGANISER
 - GOGGLES POCKET
 - CLIP ON KEYCHAIN
 - E3D VENTED BACK PANEL
 - SPLITTED SHOULDER STRAPS
 - FULLFACE HELMET FIXING STRAPS
 - REFLECTIVE DETAILS
 - FLASHLIGHT LOOP
 - STERNUM STRAP WHISTLE
 - ADJUSTABLE STERNUM STRAP HEIGHT
 - COMPATIBILITY: SAS-TEC SC-1/CB52 SPINE PROTECTOR, BAR BAG, 8L BAR DRYBAG, HELMET HOLDER, H2O BLADDER

PARAMETERS:
45 x 23 x 14 cm
650 g

MATERIALS:
NYLON 6.6, NYLON ROBIC, RIPSTOP, YKK ZIPPERS, NIFCO BUCKLES

BE LIGHTER AND FASTER. TAKE JUST TOOLS, BLADDER AND PROTECTOR, ALL NECESSARY EQUIPMENT FOR YOUR MAXIMUM TRAIL PERFORMANCE. WE INTRODUCE YOU EDGE OF A RAZOR BLADE.



TOOLS ORGANISER



RAINCOVER POCKET WITH EMERGENCY PRINT



LOW CENTER OF GRAVITY DESIGN WITH ADJUSTABLE LCG BAR



SPLITTED SHOULDER STRAPS



SAS-TEC SPINE PROTECTOR AND BATTERY CASE COMPATIBLE



STRAPS CAN BE EASILY HIDDEN INSIDE



BAR BAG AND 8L BAR DRYBAG COMPATIBLE



POSITIONABLE LCG BAR

POSITIONABLE STERNUM STRAP WITH EMERGENCY WHISTLE



E3D VENTED BACK PANEL

ONYX 5



GREY
ART NO. 203227



BLACK
ART NO. 203203

- FEATURES:**
- RAINCOVER INCLUDED
 - HIDE STRAP SYSTEM
 - TOOLS ORGANISER
 - CLIP ON KEYCHAIN
 - E3D VENTED BACKPANEL - KEEPS CENTER OF MASS CLOSE TO BODY
 - REFLECTIVE DETAILS FOR HIGHER SAFETY
 - FLASHLIGHT LOOP
 - HIPBELT POCKETS
 - COMPATIBILITY: BAR BAG, 8L BAR DRYBAG, H2O BLADDER

PARAMETERS:
21 x 30 x 11 cm
460 g

MATERIALS:
NYLON 6.6, NYLON ROBIC, RIPSTOP, YKK ZIPPERS, NIFCO BUCKLES

THIS ROOMY FANNY PACK WILL CARRY ALL STUFF NECESSARY FOR THE WHOLE DAY OF ADVENTURES. DO YOU NEED TO CARRY MORE? JUST USE BOTTOM „CARRY MORE STRAPS“.



BAR BAG AND 8L BAR DRYBAG COMPATIBLE



HIDE STRAP SYSTEM



TOOL ORGANISER



BIKE BOTTLE POCKET



PADDED POCKET FOR TELEPHONE



POCKET WITH RAINCOVER, H2O BLADDER HOSE OUTLET



RAINCOVER INCLUDED



CLIP ON KEYCHAIN



HIPBELT POCKETS



COMPRESSION STRAPS



E3D BACK SYSTEM

ONYX 2



BLACK
ART NO. 203104



GREY
ART NO. 203128

- FEATURES:**
- TOOLS ORGANISER
 - CLIP ON KEYCHAIN
 - E3D VENTED BACKPANEL - KEEPS CENTER OF MASS CLOSE TO BODY
 - H2O BLADDER COMPATIBLE
 - REFLECTIVE DETAILS FOR HIGHER SAFETY
 - FLASHLIGHT LOOP
 - ROOMY STRETCH POCKETS

PARAMETERS:
20 x 23 x 4 cm
210 g

MATERIALS:
NYLON 6.6, NYLON ROBIC, RIPSTOP, YKK ZIPPERS, NIFCO BUCKLES

THIS GEMSTONE WILL ACCOMPANY YOU ON EVERY RIDE WITHOUT YOU EVEN NOTICING. TO BE WORN UNDER OR OVER THE JERSEY.



E3D VENTED BACK SYSTEM



TOOLS ORGANISER



H2O BLADDER COMPATIBLE, H2O BLADDER HOSE OUTLET



E3D VENTER BACK SYSTEM

BATTERY CASE



BLACK
ART NO.502009

- FEATURES:**
- RAINCOVER INCLUDED
 - HIDE STRAP SYSTEM
 - TOOLS ORGANISER
 - CLIP ON KEYCHAIN
 - E3D VENTED BACKPANEL - KEEPS CENTER OF MASS CLOSE TO BODY
 - REFLECTIVE DETAILS FOR HIGHER SAFETY
 - FLASHLIGHT LOOP
 - HIPBELT POCKETS
 - EDGE 7, FLITE 10, 15, 20 AND ZAM 15 COMPATIBLE

PARAMETERS:
40x 18 x 11 cm
210g

MATERIALS:
NYLON 6.6, RIPSTOP, NIFCO BUCKLES

PADDED BATTERY CASE FOR E-PERFORMANCE AND EXPERIENCE EXTENSION.

BIKE TRANSPORT BAG



BLACK
ART NO.506007

- FEATURES:**
- YOU CAN PACK YOUR BIKE INSIDE AND PUT IT IN THE CAR
 - NAMETAG
 - SUPER LIGHTWEIGHT - NO REINFORCES

PARAMETERS:
80 x 130 x 30 cm
4500 g

MATERIALS:
NYLON 6.6, RIPSTOP, YKK ZIPPERS, NIFCO BUCKLES

LIGHTWEIGHT PADDED BAG FOR SAFE TRANSPORT AND ORGANISATION OF YOUR BIKE AND GEAR BY CAR OR PLANE.



THANKS TO THE VELCRO LOOPS THE CASE HOLDS IN PLACE AND WON'T DAMAGE ANYTHING

VELCRO STRAPS TO ATTACH CHARGER AND CABLES



VELCRO CLOSURE, SLIDE STRAP FOR EASY PULLING OUT



FOUR HANDLES FOR COMFORTABLE CARRY AS A BIKE BOX AND PAIR OF SHOULDER STRAPS



WATERPROOF INSIDE WALLS, PADDED HANDLEBAR CASE



TWO ZIPPER RIDERS ABLE TO LOCK TOGETHER



YKK ZIPPER WITH TWO RIDERS

GROUND SHEET



BLACK
ART NO. 505000

- FEATURES:**
- PACKS ALL YOUR DIRTY STUFF IN THE WATERPROOF BAG
 - NAMETAG - YOU'LL ALWAYS KNOW WHO SMELLS THE WORST
 - ALSO USABLE AS A DIRTBAG WHEN BUILDING THE TRAILS

PARAMETERS:
16 x 15 x 9 CM
Ø 130 CM
190 G

MATERIALS:
POLYESTER, PU COATING

DIRTY CLOTHES CARRY BAG. JUST STEP IN, UNDRESS AND CLOSE THAT SMELLY STUFF INTO BAG BY PULLING THE HANDLES.



PULL TWO STRINGS WITH BRAKES AND LEAVE ALL YOUR DIRTY STUFF INSIDE



YOU WON'T MIX YOUR STUFF WITH YOUR FRIENDS THANKS TO THE NAMETAG



COMPACT PACKAGE WITH NAMETAG POCKET

HELMET HOLDER



BLACK
ART NO. 504003

- FEATURES:**
- HOLD YOUR HELMET IN A PLACE
 - COMPATIBLE WITH ALL THE ACEPAC BACKPACKS

PARAMETERS:
14 x 11 x 6 CM
21 x 21 CM
40 G

MATERIALS:
NYLON 6.6, RIPSTOP, YKK ZIPPERS, NIFCO BUCKLES

MESH HELMET HOLDER WITH LENGHT ADJUSTABLE FIXING STRAPS.



COMPACT PACKAGE



EDGE 7



FLITE 6



ZAM 15 EXP



FLITE 15